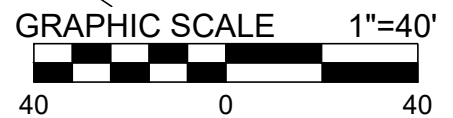


ANNAPOLIS CITY MAYOR & ALDERMEN
 TAX MAP 52G, GRID 5, PARCEL 285
 TAX ID#06-000-01407404



Bay Engineering Inc.

Engineers, Planners and Surveyors
 2661 Riva Road, Building 800
 Annapolis, Maryland 21401
 410.897.9290
 410.897.9295 fax
 email: info@bayengineering.com
 www.bayengineering.com



PROPOSED CONDITIONS PLAN

ANNAPOLIS CITY MAYOR & ALDERMEN
 7300 EDGEWOOD ROAD, ANNAPOLIS, 21403
 TAX MAP 52G, GRID 5, PARCEL 285
 6TH ELECTION DISTRICT, ANNE ARUNDEL COUNTY, MD

DRAWN BY: J.MARLOWE
 SCALE: AS SHOWN
 DATE: SEPTEMBER, 2022
 JOB NO.: 19-7030
 FOLDER REF:
 SHEET 3 OF 10

Bay Engineering Inc.

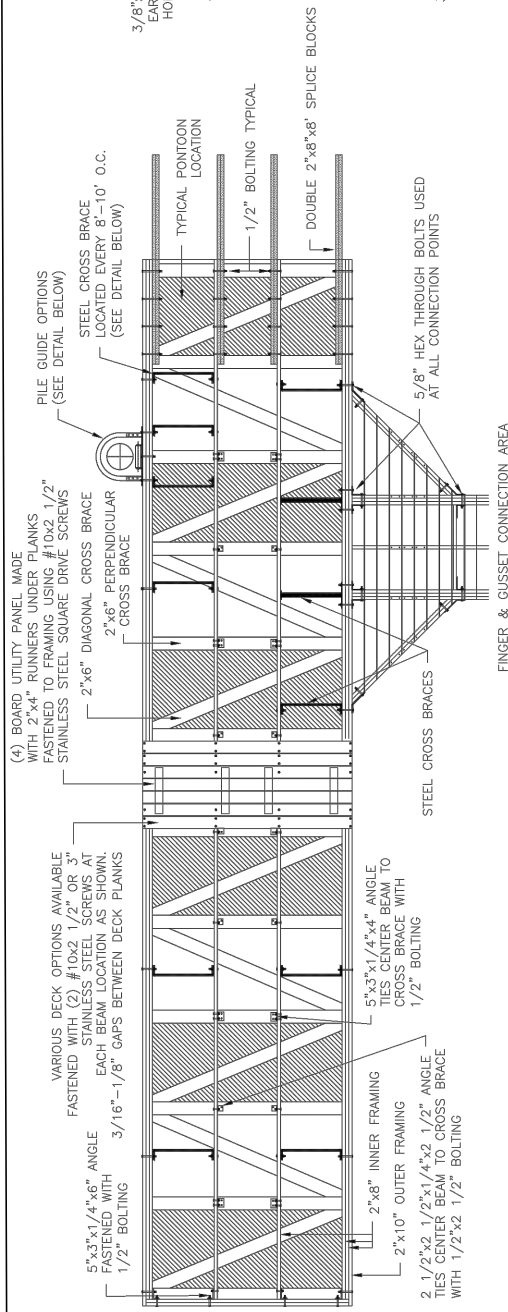
Engineers, Planners and Surveyors
 2661 Riva Road, Building 800
 Annapolis, Maryland 21401
 410.897.9290
 410.897.9295 fax
 email: info@bayengineering.com
 www.bayengineering.com



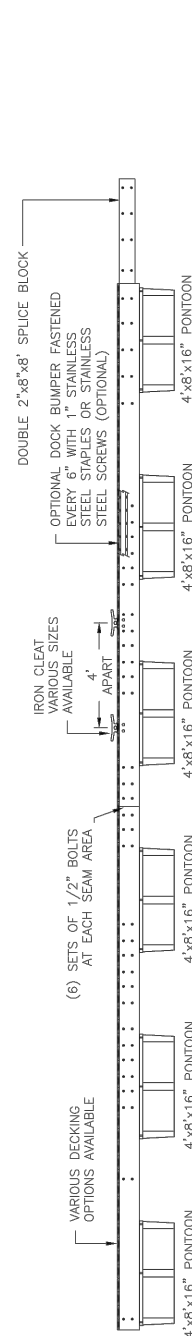
ANNAPOLIS CITY MAYOR & ALDERMEN
 7300 EDGEWOOD ROAD, ANNAPOLIS, 21403
 TAX MAP 52G, GRID 5, PARCEL 285
 6TH ELECTION DISTRICT, ANNE ARUNDEL COUNTY, MD

PIER DETAIL

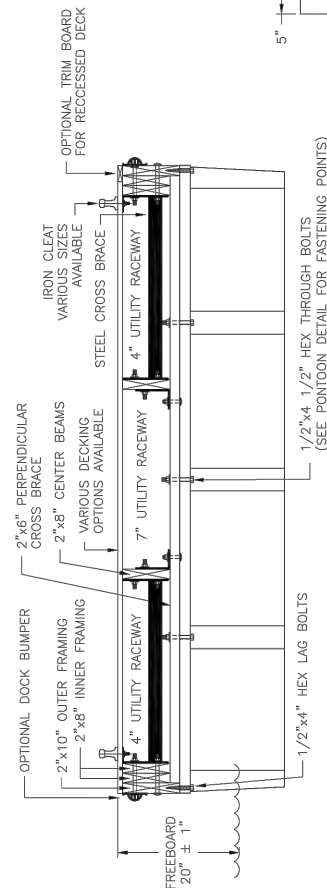
DRAWN BY: J.MARLOWE
 SCALE: AS SHOWN
 DATE: SEPTEMBER, 2022
 JOB NO.: 19-7030
 FOLDER REF:
 SHEET 4 OF 10



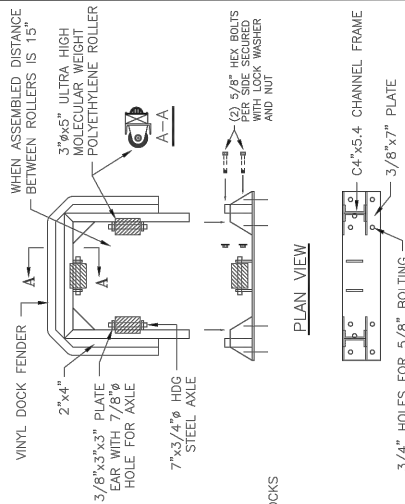
PLAN VIEW / TYPICAL MAIN WALKWAY SECTION



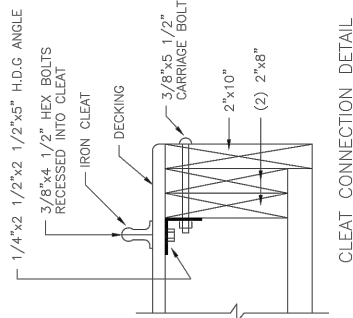
SIDE ELEVATION / TYPICAL MAIN WALKWAY SECTION



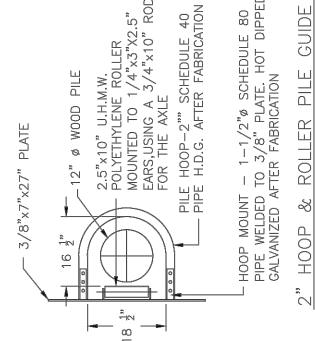
SECTION VIEW / TYPICAL MAIN WALKWAY SECTION



4 ROLLER REMOVABLE PILE GUIDE



CLEFT CONNECTION DETAIL



CLEFT DETAIL

