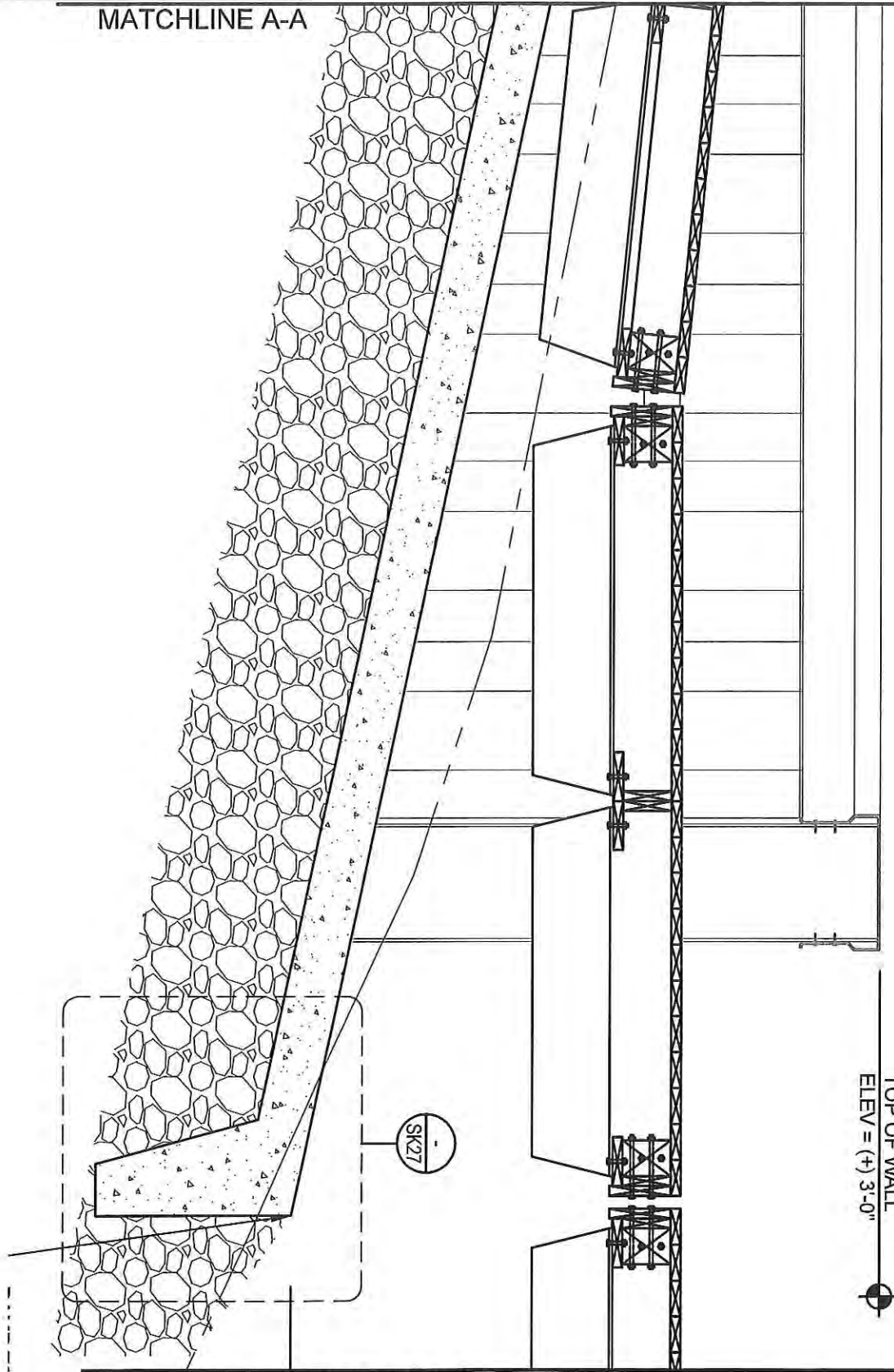


MATCHLINE A-A



TOP OF WALL
ELEV = (+) 3'-0"

MATCHLINE B-B

SHEETS25OF S30



ENGINEERS
 PLANNERS
 SCIENTISTS
 CONSTRUCTION MANAGERS

936 RIDGEBROOK ROAD
 SPARKS, MARYLAND 21152
 TELEPHONE: (410) 316-7800
 FAX: (410) 316-7818

DATE
 04/13/2022

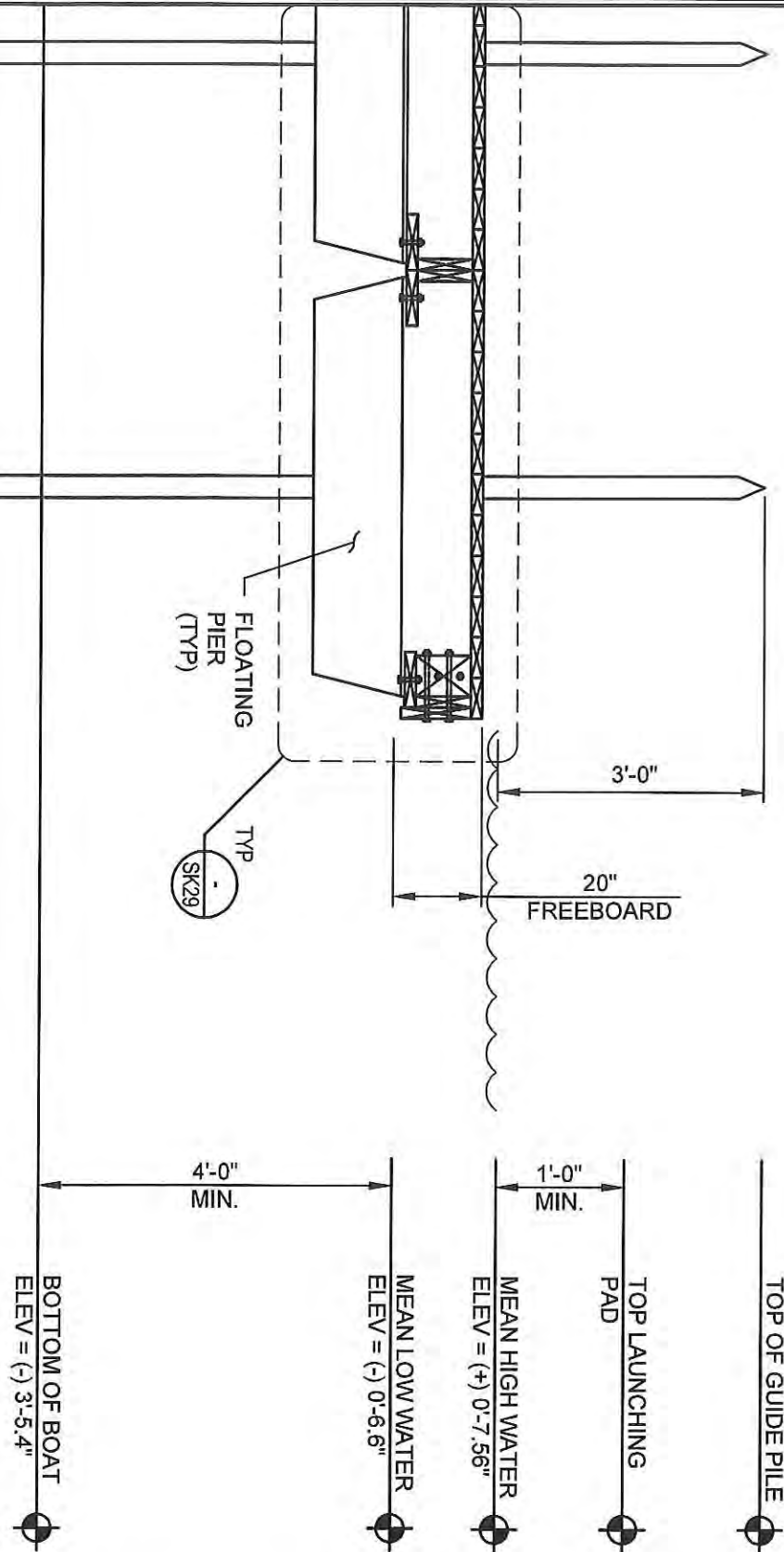
SCALE
 1/2"=1'-0"

DESIGNED BY
 PDB

DRAWN BY
 PDB

**BOAT LAUNCHING PAD AND
 FLOATING PIER SECTION**
 PROJECT: REPLACEMENT BULKHEADS, PIERS, PILES, REVETMENT
PHASE 1 MARINE IMPROVEMENT PROJECT
 AT
LOVE POINT STATE PARK
 FOR STATE OF MD DNR, 580 TAYLOR AVE E-4, QUEEN ANNE'S COUNTY,
 ANNAPOLIS, MD 21401

MATCHLINE B-B



SHEETS260F S30



ENGINEERS
 PLANNERS
 SCIENTISTS
 CONSTRUCTION MANAGERS

936 RIDGEBROOK ROAD
 SPARKS, MARYLAND 21152
 TELEPHONE: (410) 316-7800
 FAX: (410) 316-7818

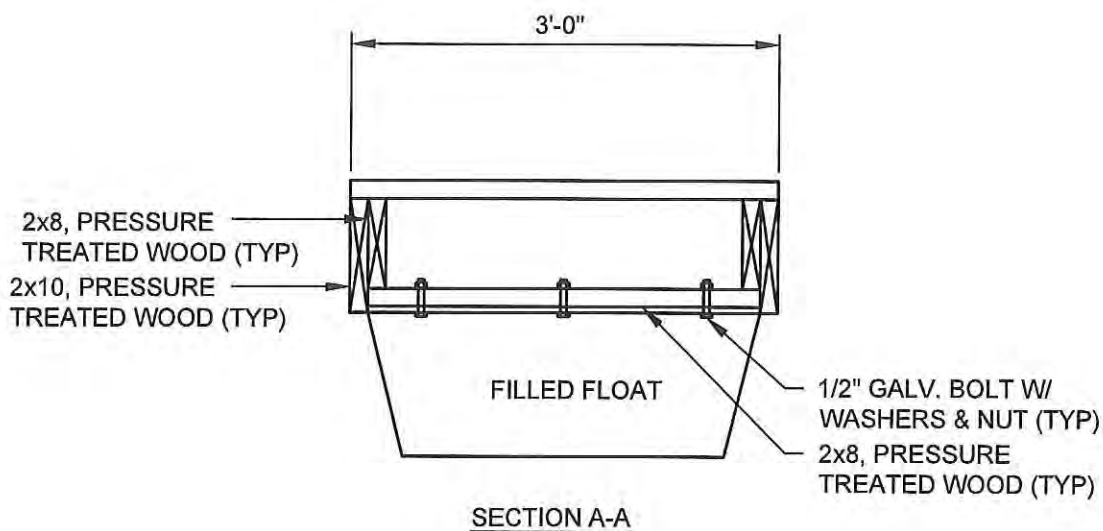
DATE
 04/13/2022

SCALE
 1/2"=1'-0"

DESIGNED BY
 PDB

DRAWN BY
 PDB

**BOAT LAUNCHING PAD AND
 FLOATING PIER SECTION**
 PROJECT: REPLACEMENT BULKHEADS, PIERS, PILES, REVETMENT
PHASE 1 MARINE IMPROVEMENT PROJECT
 AT
LOVE POINT STATE PARK
 FOR STATE OF MD DNR, 580 TAYLOR AVE E-4, QUEEN ANNE'S COUNTY,
 ANNAPOLIS, MD 21401



SHEETS280F S30



ENGINEERS
PLANNERS
SCIENTISTS
CONSTRUCTION MANAGERS

936 RIDGEBROOK ROAD
SPARKS, MARYLAND 21152
TELEPHONE: (410) 316-7800
FAX: (410) 316-7818

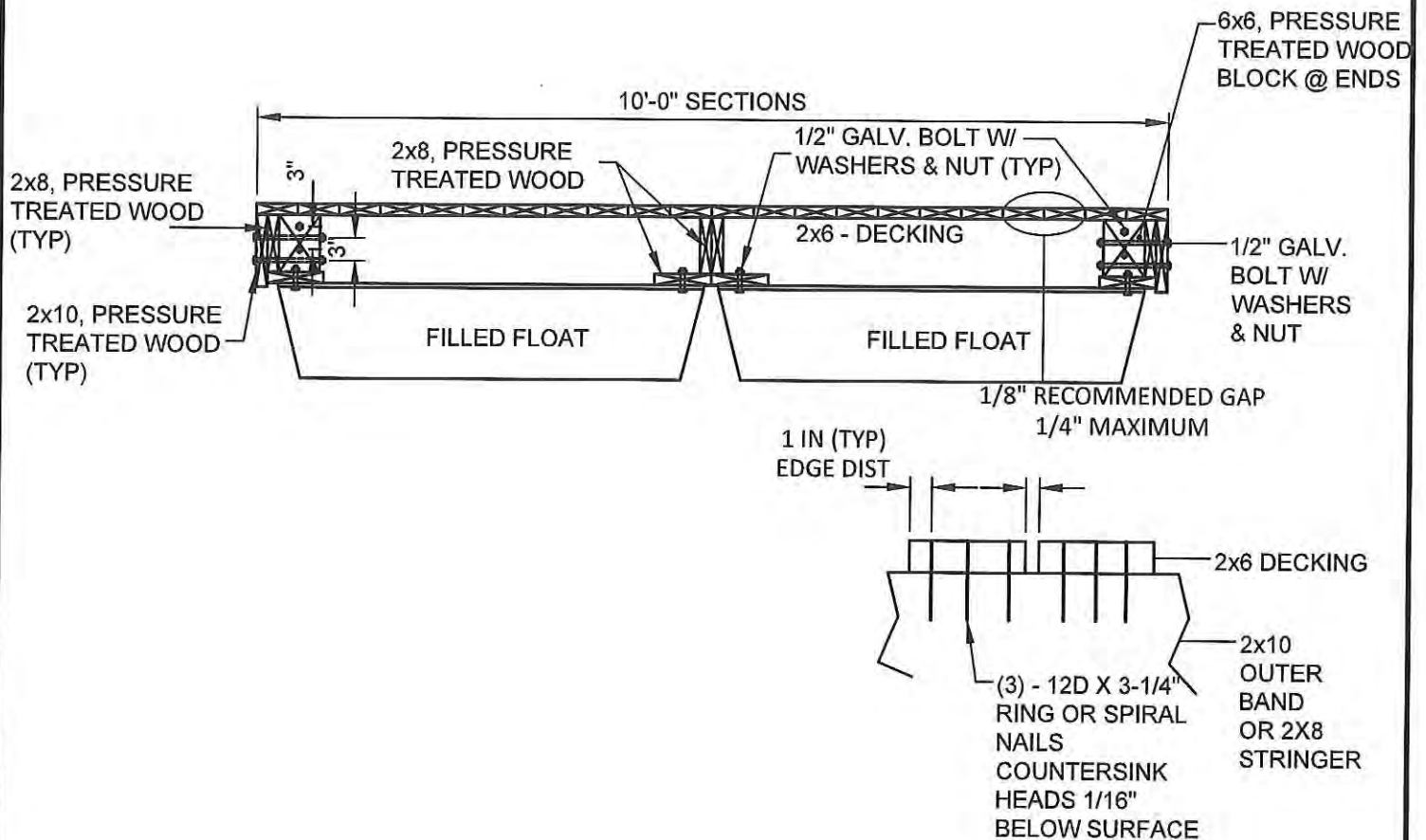
DATE
04/13/2022

SCALE
3/4"=1'-0"

DESIGNED BY
PDB

DRAWN BY
PDB

FLOATING PIER DETAILS
SECTION A-A
PROJECT: REPLACEMENT BULKHEADS, PIERS, PILES, REVETMENT
PHASE 1 MARINE IMPROVEMENT PROJECT
AT
LOVE POINT STATE PARK
FOR STATE OF MD DNR, 580 TAYLOR AVE E-4, QUEEN ANNE'S COUNTY,
ANNAPOLIS, MD 21401



SHEETS290F S30



ENGINEERS
PLANNERS
SCIENTISTS
CONSTRUCTION MANAGERS

936 RIDGEBROOK ROAD
SPARKS, MARYLAND 21152
TELEPHONE: (410) 316-7800
FAX: (410) 316-7818

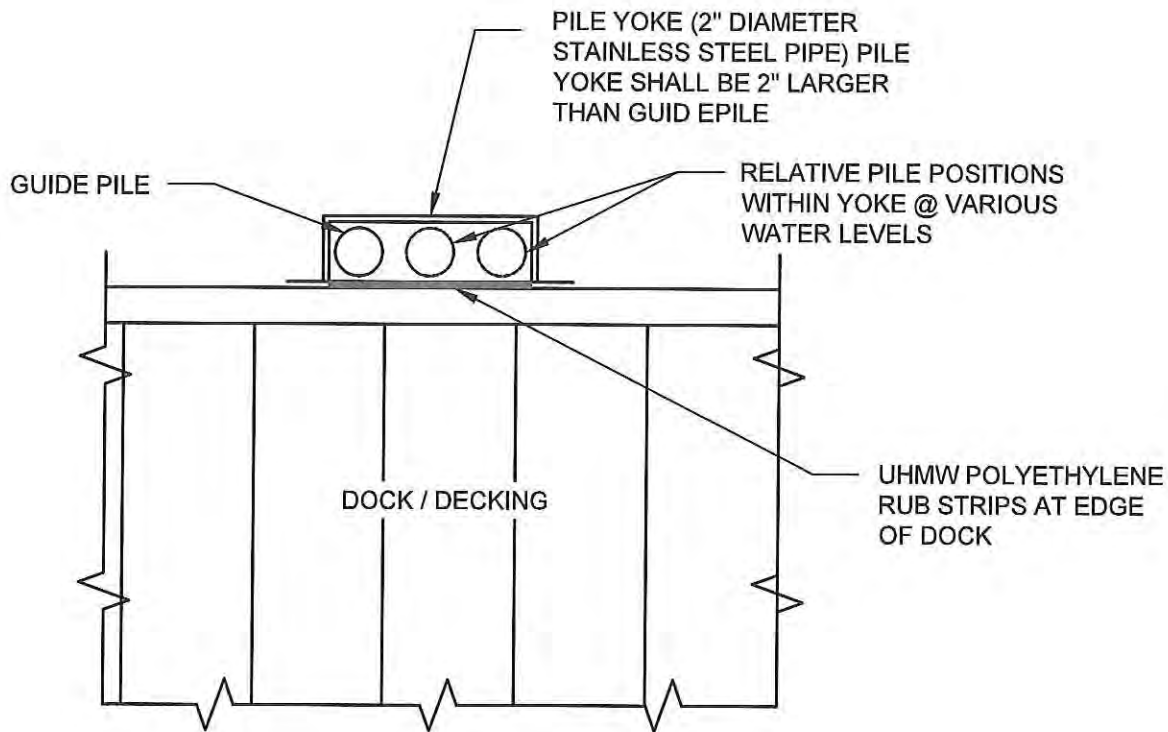
DATE
04/13/2022

SCALE
3/4"=1'-0"

DESIGNED BY
PDB

DRAWN BY
PDB

FLOATING PIER DETAILS
SECTION A-A
PROJECT: REPLACEMENT BULKHEADS, PIERS, PILES, REVETMENT
PHASE 1 MARINE IMPROVEMENT PROJECT
AT
LOVE POINT STATE PARK
FOR STATE OF MD DNR, 580 TAYLOR AVE E-4, QUEEN ANNE'S COUNTY,
ANNAPOLIS, MD 21401



SHEETS300F S30



ENGINEERS
PLANNERS
SCIENTISTS
CONSTRUCTION MANAGERS

936 RIDGEBROOK ROAD
SPARKS, MARYLAND 21152
TELEPHONE: (410) 316-7800
FAX: (410) 316-7818

DATE
04/13/2022

SCALE
1-1/2"=1'-0"

DESIGNED BY
PDB

DRAWN BY
PDB

PILE YOKE PLAN DETAIL

PROJECT: REPLACEMENT BULKHEADS, PIERS, PILES, REVETMENT
PHASE 1 MARINE IMPROVEMENT PROJECT
AT
LOVE POINT STATE PARK
FOR STATE OF MD DNR, 580 TAYLOR AVE E-4, QUEEN ANNE'S COUNTY,
ANNAPOLIS, MD 21401