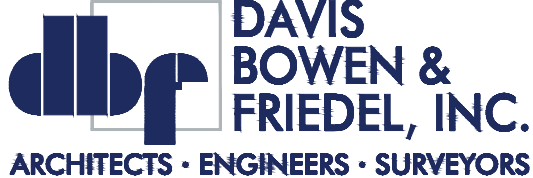


## DETAIL-2

3/4" = 1'-0"



EASTON, MARYLAND 410.770.4744 MILFORD, DELAWARE 302.424.1444 SALISBURY, MARYLAND 410.543.9091

CRISFIELD CITY DOCK  
PIER RECONSTRUCTION  
CRISFIELD, MD 21817

DETAILS

COPYRIGHT © 2022

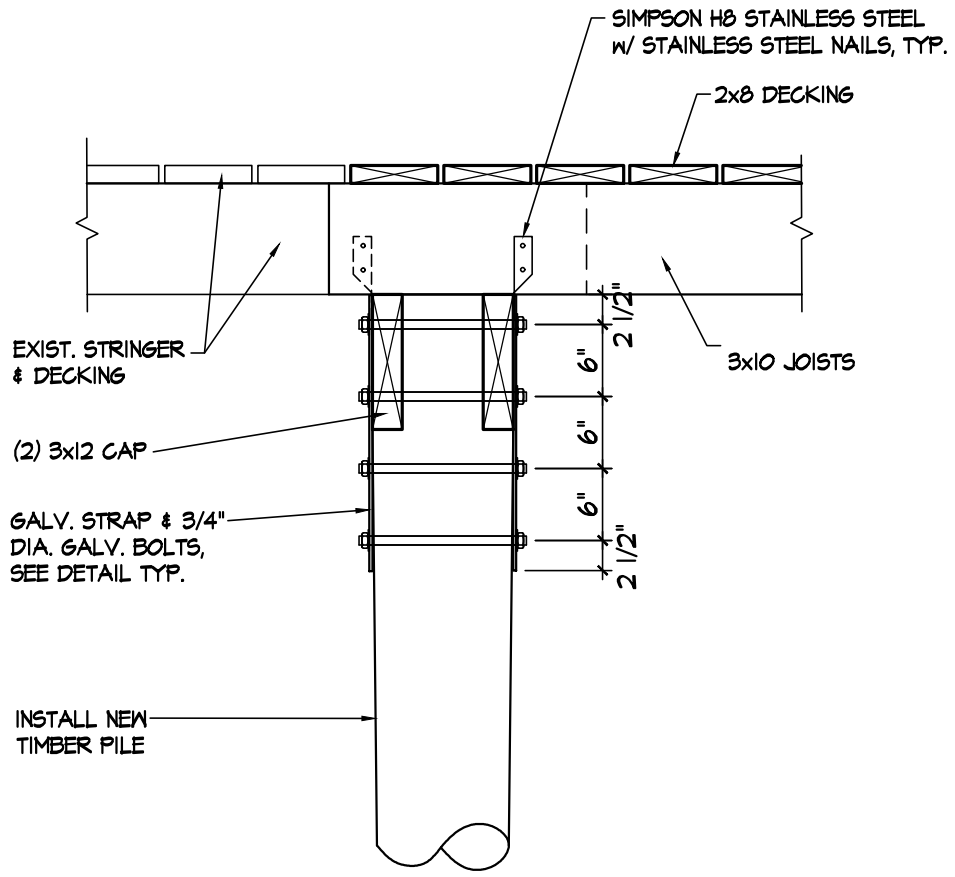
Dwg.No.:

**S5**

Date: 09/27/2022


Scale: AS NOTED

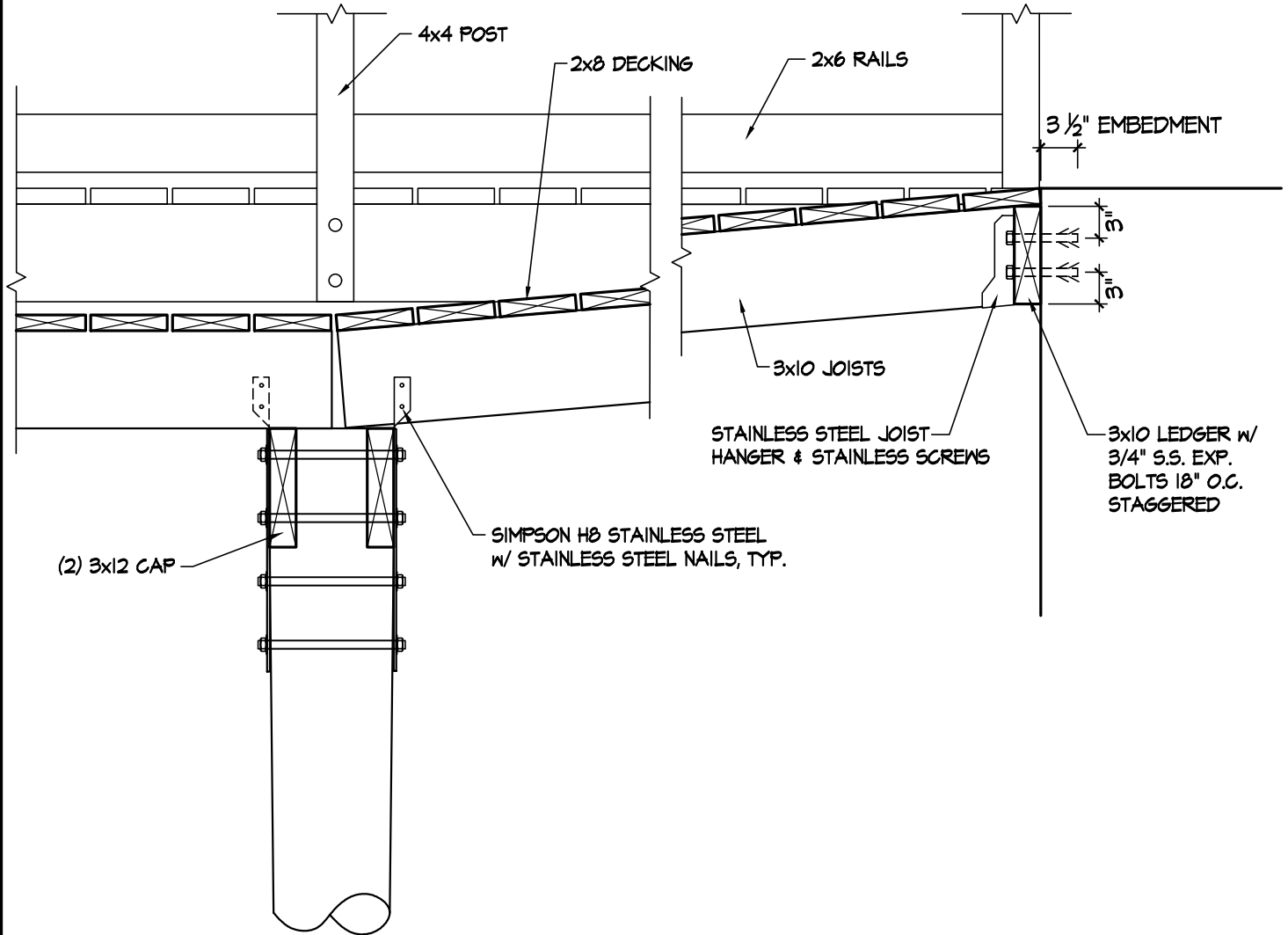
Proj.No.: 0187A030.C01



# DETAIL-3

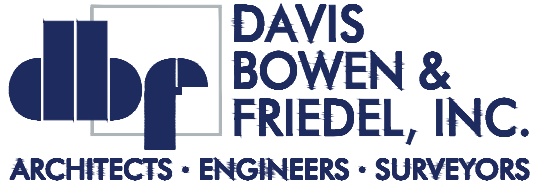
3/4" = 1'-0"

 <p><b>DAVIS BOWEN &amp; FRIEDEL, INC.</b> ARCHITECTS • ENGINEERS • SURVEYORS</p> <p>EASTON, MARYLAND 410.770.4744 MILFORD, DELAWARE 302.424.1444 SALISBURY, MARYLAND 410.543.9091</p>	<p>CRISFIELD CITY DOCK PIER RECONSTRUCTION CRISFIELD, MD 21817</p>		<p>COPYRIGHT © 2022</p>
	<p>DETAILS</p>		<p>Dwg.No.:</p> <h1>S6</h1>
<p>Date: 09/27/2022</p>		<p>Scale: AS NOTED</p>	<p>Proj.No.: 0187A030.C01</p>



# DETAIL-4

3/4" = 1'-0"



**DAVIS  
BOWEN &  
FRIEDEL, INC.**

ARCHITECTS • ENGINEERS • SURVEYORS

EASTON, MARYLAND 410.770.4744 MILFORD, DELAWARE 302.424.1444 SALISBURY, MARYLAND 410.543.9091

CRISFIELD CITY DOCK  
PIER RECONSTRUCTION  
CRISFIELD, MD 21817

DETAILS

COPYRIGHT © 2022

Dwg.No.:

**S7**

Date: 09/27/2022

Scale: AS NOTED

Proj.No.: 0187A030.C01