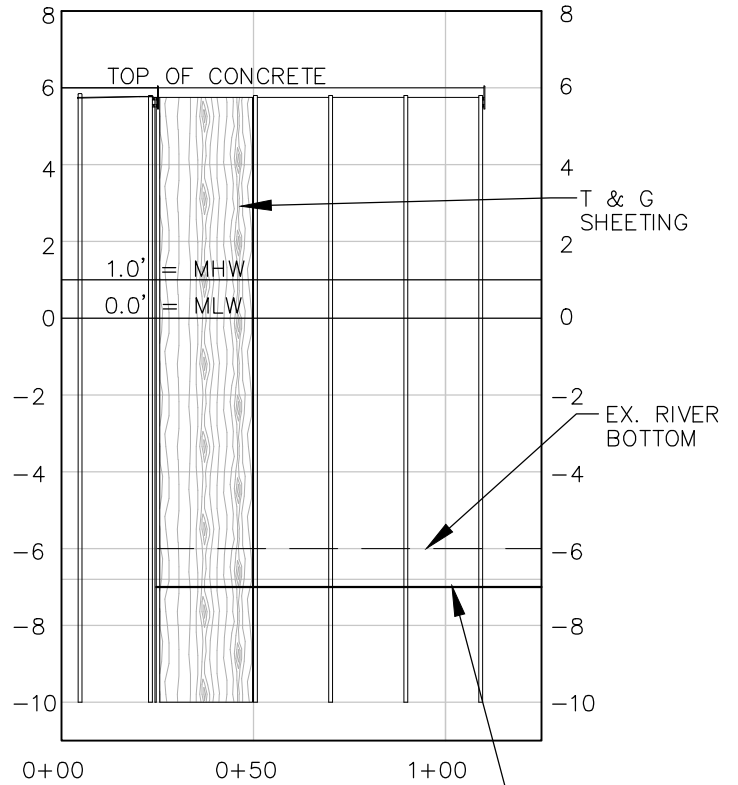


SECTION 'F-F'

PROP. MAINTENANCE DREDGING TO -7.0' MLW



SECTION 'G-G'

PROP. MAINTENANCE DREDGING TO -7.0' MLW

CROSS SECTIONS

1" = 50'

MARYLAND DEPARTMENT OF THE ENVIRONMENT &
BALTIMORE DISTRICT CORPS. OF ENGINEERS
LICENSE & PERMIT EXHIBIT

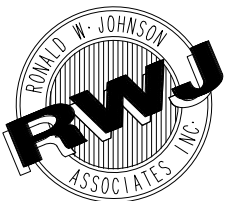
HERRINGTON HARBOUR NORTH

TAX MAP 77; BLOCKS 11 & 12; PARCEL 89

8TH TAX DISTRICT
SCALE: AS SHOWN

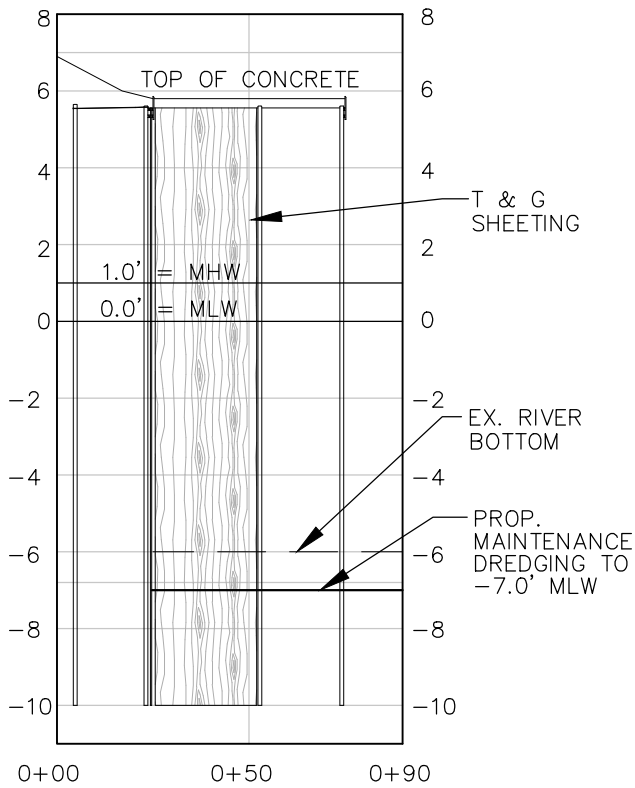
PAGE 23 OF 26

A.A. CO., MD
AUGUST, 2019

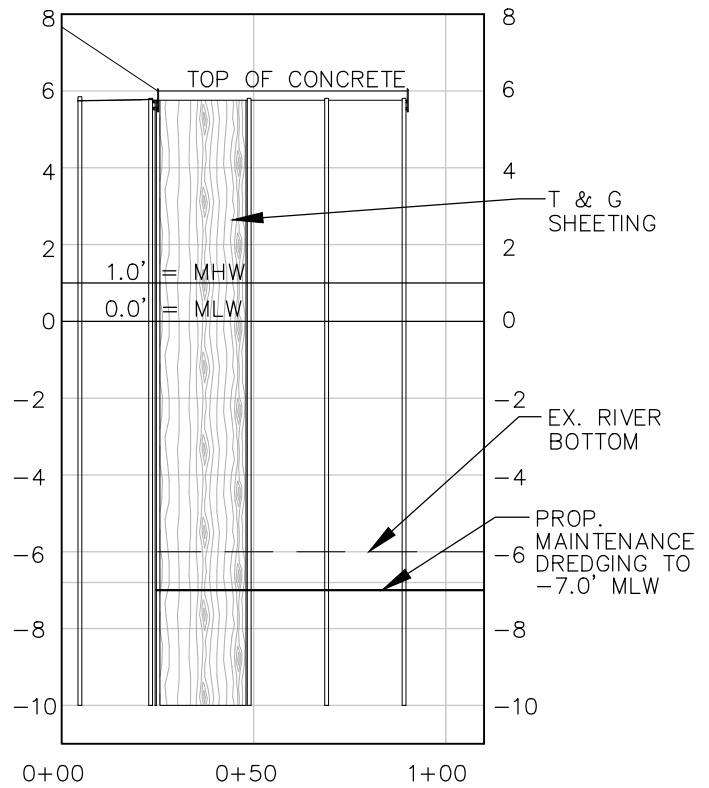


Ronald W. Johnson Associates, Inc.
Consulting Engineers, Land Planners, Surveyors

2661 Riva Road Building 400, Suite 420 Annapolis, MD 21401
410.841.5221 410.266.6612 Fax 410.841.5124



SECTION 'H-H'



SECTION 'I-I'

CROSS SECTIONS

1" = 50'

MARYLAND DEPARTMENT OF THE ENVIRONMENT &
BALTIMORE DISTRICT CORPS. OF ENGINEERS
LICENSE & PERMIT EXHIBIT

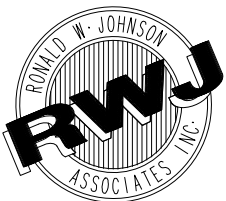
HERRINGTON HARBOUR NORTH

TAX MAP 77; BLOCKS 11 & 12; PARCEL 89

8TH TAX DISTRICT
SCALE: AS SHOWN

PAGE 24 OF 26

A.A. CO., MD
AUGUST, 2019



Ronald W. Johnson Associates, Inc.
Consulting Engineers, Land Planners, Surveyors

2661 Riva Road Building 400, Suite 420 Annapolis, MD 21401
410.841.5221 410.266.6612 Fax 410.841.5124