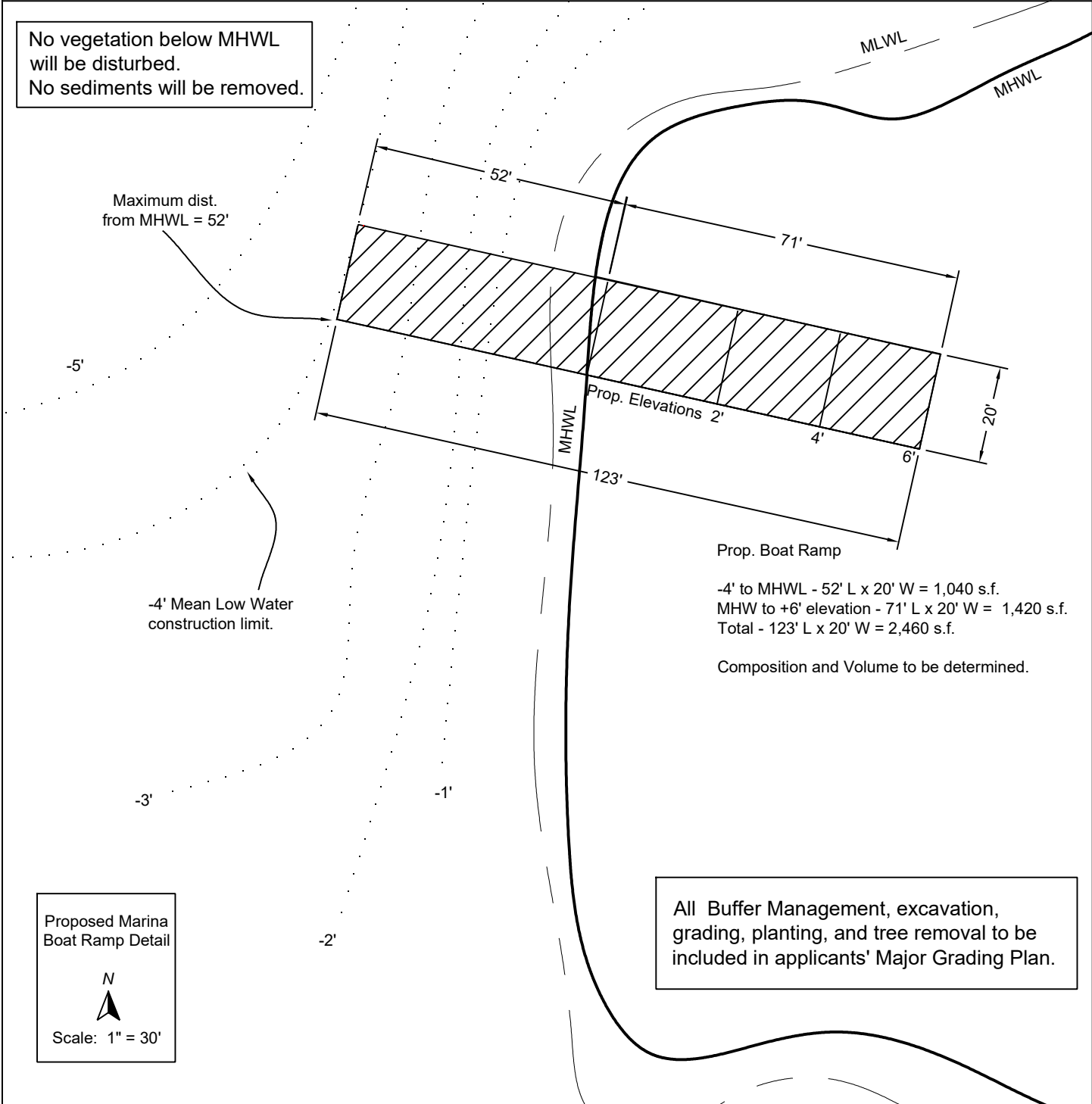


Notations Added



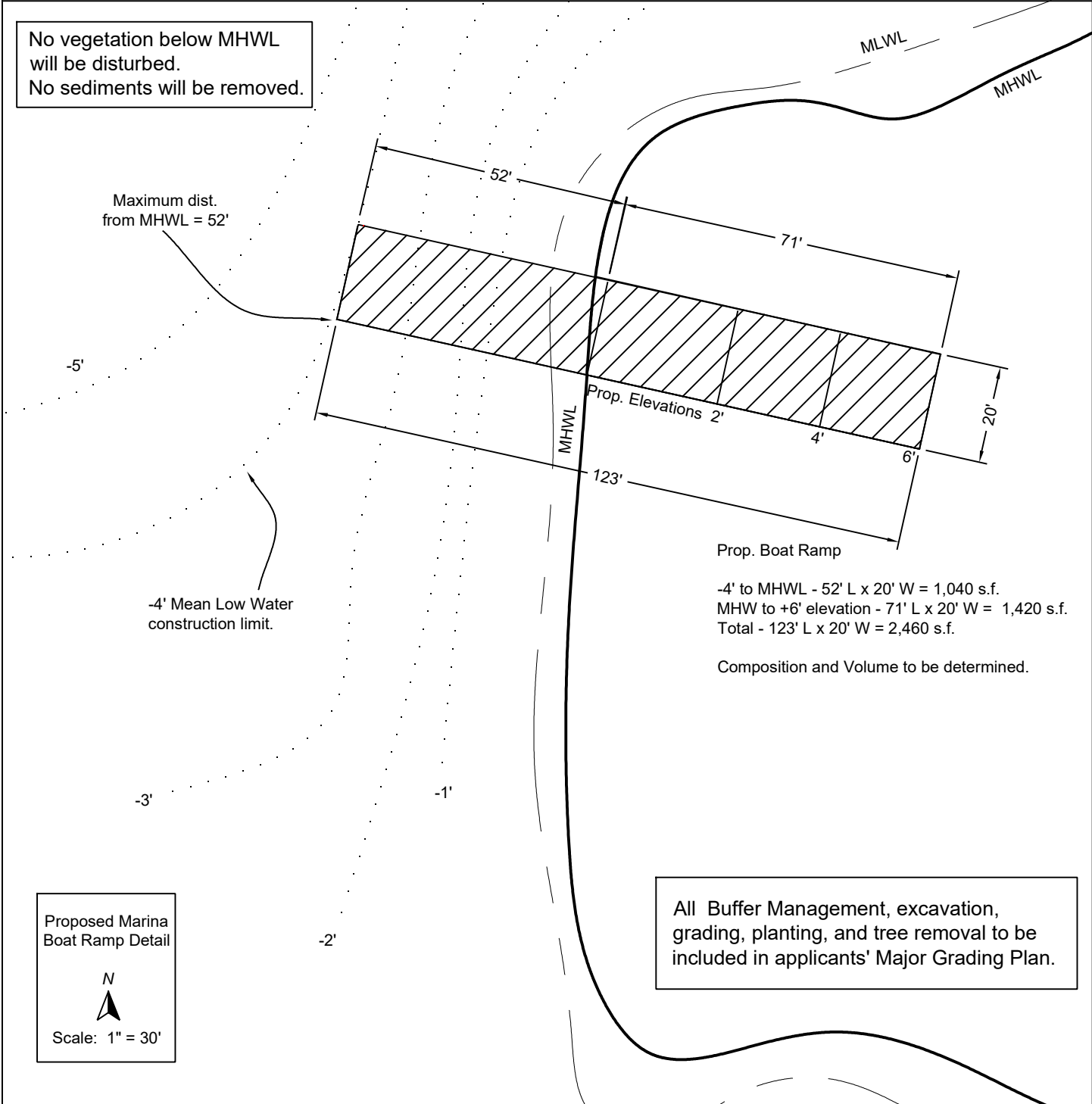
Proposed Marina Boat Ramp Detail

N

Scale: 1" = 30'

<p>Revision to Proposed Community Marina w/ Pumpout Station and Boat Ramp</p> <p>For Planning Purposes Only</p> <p>Scale: As Shown Datum MLWL</p>	<p>Location:</p> <p>Marley Neck and Marley Rd. Gen Burnie, MD 21060 Marley Creek, Anne Arundel Co.</p> <p>Tax Map 0010, Parcels 0098, 0058, and 0057</p> <p>ADC Map 17, F - 4</p>	<p>Applicant:</p> <p>Marley Neck Investments, LLC 24012 Frederick Rd., STE 200 Clarksburg, MD 20871</p> <p>Tracking # 2020-61747</p> <p>Revised: January 12, 2021</p>	<p>Flood Bros. Marine Consultants, Inc. 3265 Harness Creek Rd. Annapolis, MD 21403 410-507-8917</p> <p>Sheet 8 of 12</p>
---	---	---	--

Notations Added

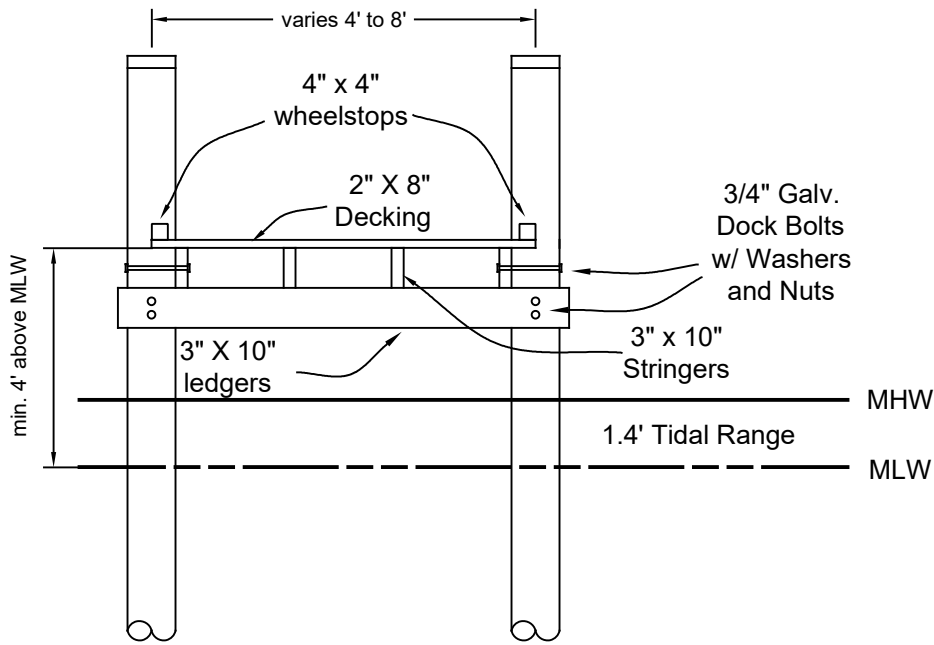


Proposed Marina Boat Ramp Detail

N

Scale: 1" = 30'

<p>Revision to Proposed Community Marina w/ Pumpout Station and Boat Ramp</p> <p>For Planning Purposes Only</p> <p>Scale: As Shown Datum MLWL</p>	<p>Location:</p> <p>Marley Neck and Marley Rd. Gen Burnie, MD 21060 Marley Creek, Anne Arundel Co.</p> <p>Tax Map 0010, Parcels 0098, 0058, and 0057</p> <p>ADC Map 17, F - 4</p>	<p>Applicant:</p> <p>Marley Neck Investments, LLC 24012 Frederick Rd., STE 200 Clarksburg, MD 20871</p> <p>Tracking # 2020-61747</p> <p>Revised: January 12, 2021</p>	<p>Flood Bros. Marine Consultants, Inc. 3265 Harness Creek Rd. Annapolis, MD 21403 410-507-8917</p> <p>Sheet 8 of 12</p>
---	---	---	--



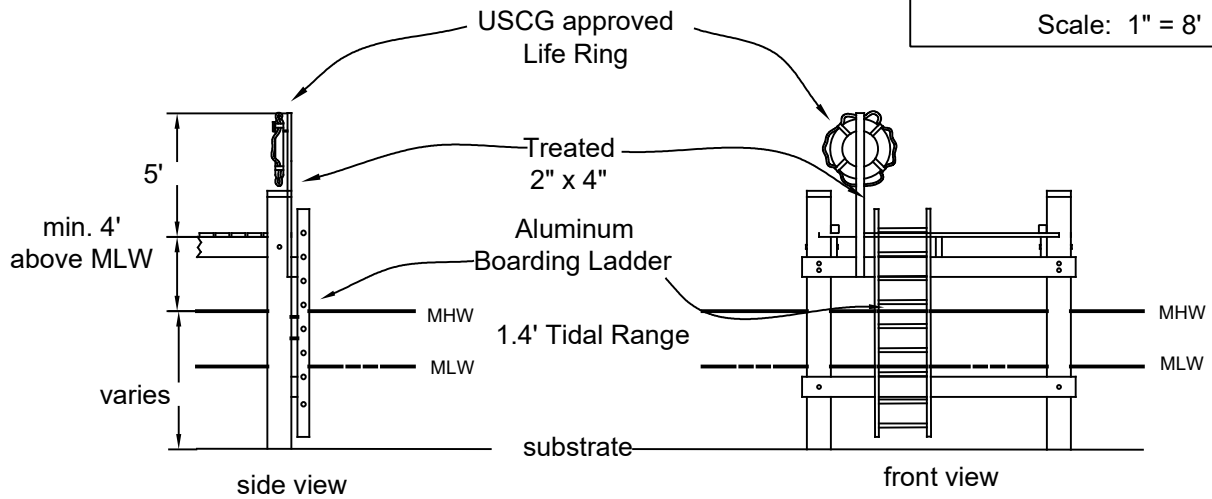
Typical X-Section  
Proposed Pier

Scale: 1" = 4'

12" dia. Class B Piles  
10' O/C  
10' Min. Penetration

Pilings and Framing  
2.5 Lb. CCA

Decking 0.6 Lb. CCA



Boarding Ladder and Life Ring

Scale: 1" = 8'

Design may vary as long as it meets USGS standards.

Revision to Proposed  
Community Marina  
w/ Pumpout Station  
and Boat Ramp

For Planning Purposes Only

Scale: As Shown

Datum MLWL

Location:

Marley Neck and Marley Rd.  
Gen Burnie, MD 21060  
Marley Creek, Anne Arundel Co.

Tax Map 0010,  
Parcels 0098, 0058, and 0057

ADC Map 17, F - 4

Applicant:

Marley Neck Investments, LLC  
24012 Frederick Rd., STE 200  
Clarksburg, MD 20871

Tracking # 2020-61747

Revised: January 12, 2021

Flood Bros. Marine  
Consultants, Inc.  
3265 Harness Creek Rd.  
Annapolis, MD 21403  
410-507-8917

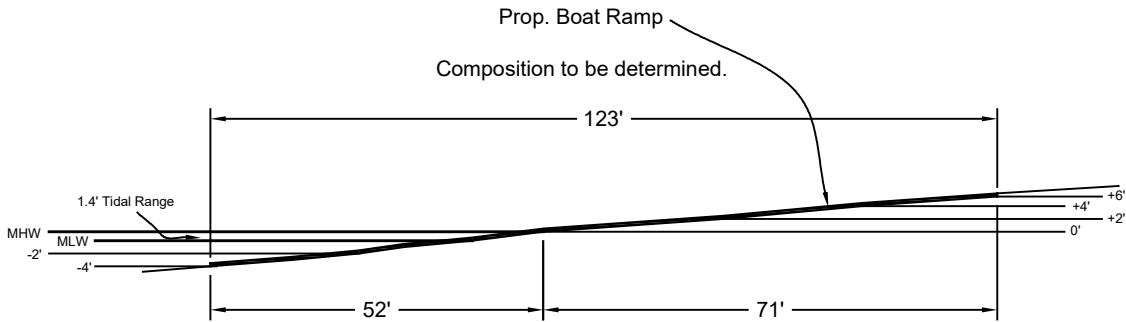
Sheet 9 of 12

Notations added.

No vegetation below MHWL will be disturbed.  
No sediments will be removed.

Typical X-Section A - A  
Proposed Boat Ramp

Scale: 1" = 30'



All Buffer Management, excavation, grading, planting, and tree removal to be included in applicants' Major Grading Plan.

Revision to Proposed  
Community Marina  
w/ Pumpout Station  
and Boat Ramp

For Planning Purposes Only

Scale: As Shown

Datum MLWL

Location:

Marley Neck and Marley Rd.  
Gen Burnie, MD 21060  
Marley Creek, Anne Arundel Co.

Tax Map 0010,  
Parcels 0098, 0058, and 0057

ADC Map 17, F - 4

Applicant:

Marley Neck Investments, LLC  
24012 Frederick Rd., STE 200  
Clarksburg, MD 20871

Tracking # 2020-61747

Revised: January 12, 2021

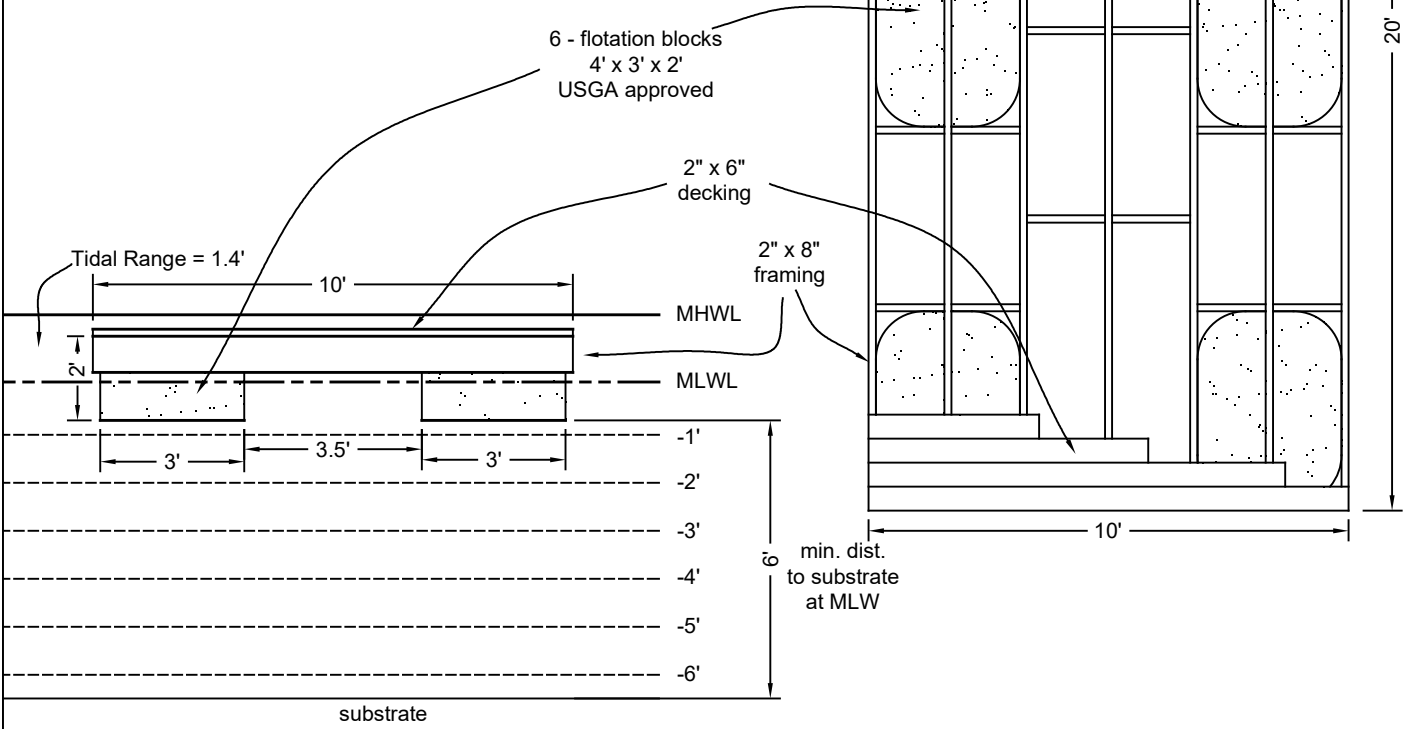
Flood Bros. Marine  
Consultants, Inc.  
3265 Harness Creek Rd.  
Annapolis, MD 21403  
410-507-8917

Sheet 10 of 12

This Sheet Added

X - Sections  
Floating Platform  
Scale = 1" = 4'

Platform shown during MLW. Height above substrate varies from 6' at MLW to 7.4' at MHW.



<p>Revision to Proposed Community Marina w/ Pumpout Station and Boat Ramp</p> <p>For Planning Purposes Only Scale: As Shown Datum MLWL</p>	<p>Location: Marley Neck and Marley Rd. Gen Burnie, MD 21060 Marley Creek, Anne Arundel Co.</p> <p>Tax Map 0010, Parcels 0098, 0058, and 0057</p> <p>ADC Map 17, F - 4</p>	<p>Applicant: Marley Neck Investments, LLC 24012 Frederick Rd., STE 200 Clarksburg, MD 20871</p> <p>Tracking # 2020-61747</p> <p>Revised: January 12, 2021</p>	<p>Flood Bros. Marine Consultants, Inc. 3265 Harness Creek Rd. Annapolis, MD 21403 410-507-8917</p> <p>Sheet 11 of 12</p>
--	--	--	---



Parcel Boundaries  
overlain on Variance Plan

Scale: 1" = 500'

Vicinity  
ADC Map 17, F - 4  
Marley Creek  
Anne Arundel County  
Scale: 1" = 2,000'



<p>Revision to Proposed Community Marina w/ Pumpout Station and Boat Ramp</p> <p>For Planning Purposes Only Scale: As Shown      Datum MLWL</p>	<p>Location: Marley Neck and Marley Rd. Gen Burnie, MD 21060 Marley Creek, Anne Arundel Co.</p> <p>Tax Map 0010, Parcels 0098, 0058, and 0057</p> <p>ADC Map 17, F - 4</p>	<p>Applicant: Marley Neck Investments, LLC 24012 Frederick Rd., STE 200 Clarksburg, MD 20871</p> <p>Tracking # 2020-61747</p> <p>Revised: January 12, 2021</p>	<p>Flood Bros. Marine Consultants, Inc. 3265 Harness Creek Rd. Annapolis, MD 21403 410-507-8917</p> <p>Sheet 12 of 12</p>
---	--	--	---