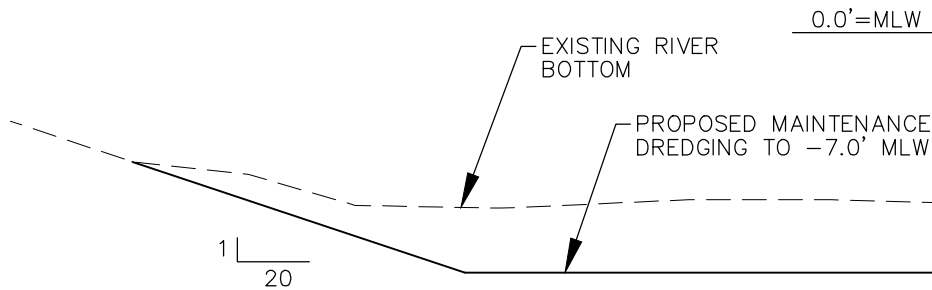


**TYPICAL BULKHEAD SECTION**

SCALE: 1" = 4'



**TYPICAL DREDGE SECTION**

SCALE: 1" = 4'

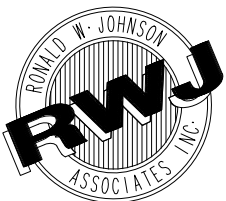
MARYLAND DEPARTMENT OF THE ENVIRONMENT &  
BALTIMORE DISTRICT CORPS. OF ENGINEERS  
LICENSE & PERMIT EXHIBIT

**HERRINGTON HARBOUR NORTH**

TAX MAP 77; BLOCKS 11 & 12; PARCEL 89  
8TH TAX DISTRICT  
SCALE: 1" = 30'

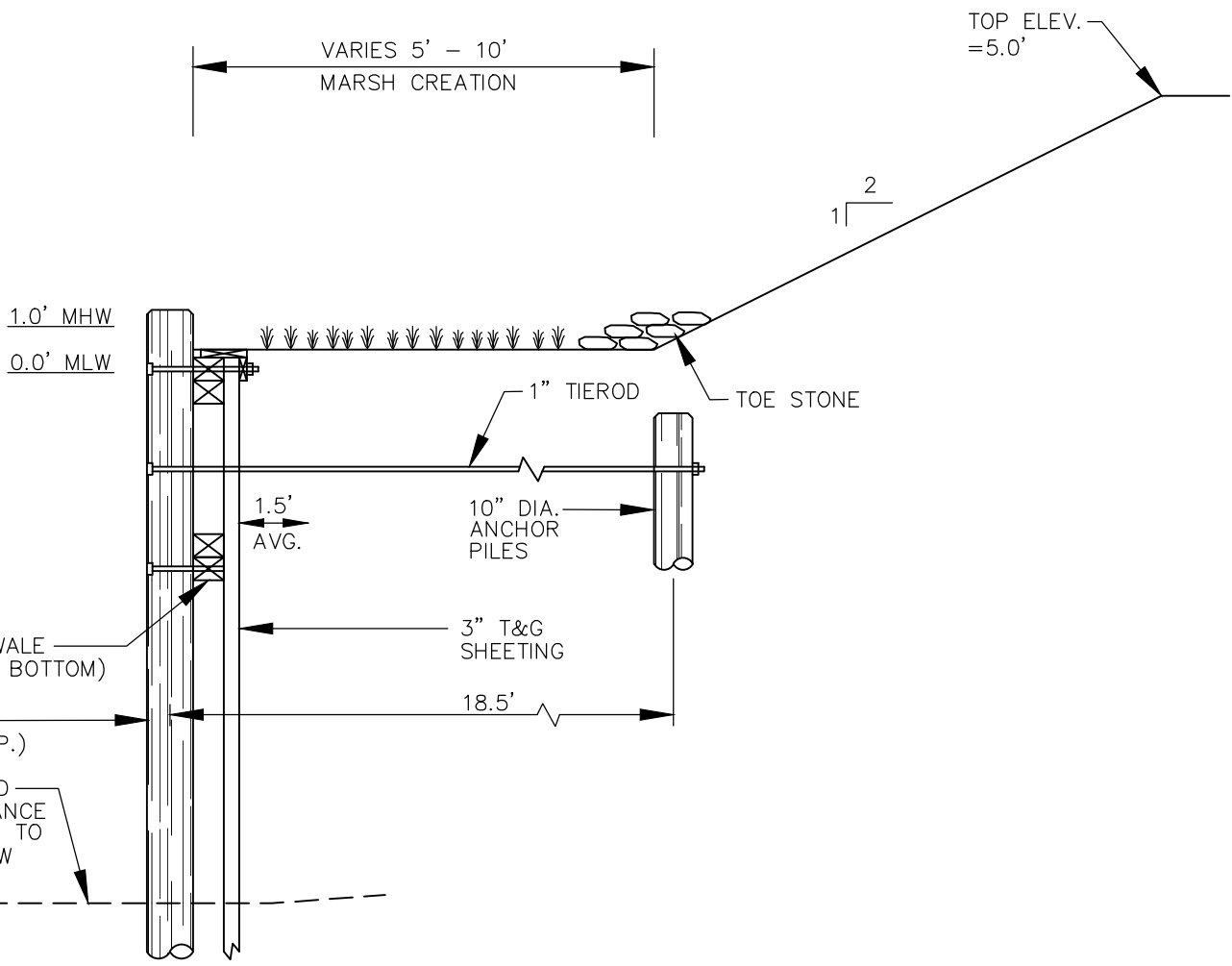
PAGE 15 OF 26

A.A. CO., MD  
AUGUST, 2019



**Ronald W. Johnson Associates, Inc.**  
Consulting Engineers, Land Planners, Surveyors

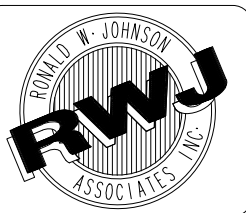
2661 Riva Road Building 400, Suite 420 Annapolis, MD 21401  
410.841.5221 410.266.6612 Fax 410.841.5124



**LOW PROFILE BULKHEAD SECTION**

SCALE: 1" = 4'

MARYLAND DEPARTMENT OF THE ENVIRONMENT &  
 BALTIMORE DISTRICT CORPS. OF ENGINEERS  
 LICENSE & PERMIT EXHIBIT  
**HERRINGTON HARBOUR NORTH**  
 TAX MAP 77; BLOCKS 11 & 12; PARCEL 89  
 8TH TAX DISTRICT A.A. CO., MD  
 SCALE: AS SHOWN PAGE 16 OF 26 AUGUST, 2019



**Ronald W. Johnson Associates, Inc.**  
 Consulting Engineers, Land Planners, Surveyors

2661 Riva Road Building 400, Suite 420 Annapolis, MD 21401  
 410.841.5221 410.266.6612 Fax 410.841.5124